

1-260 Hooked Cam

Special cams for replacement of Product System 1-102 cams

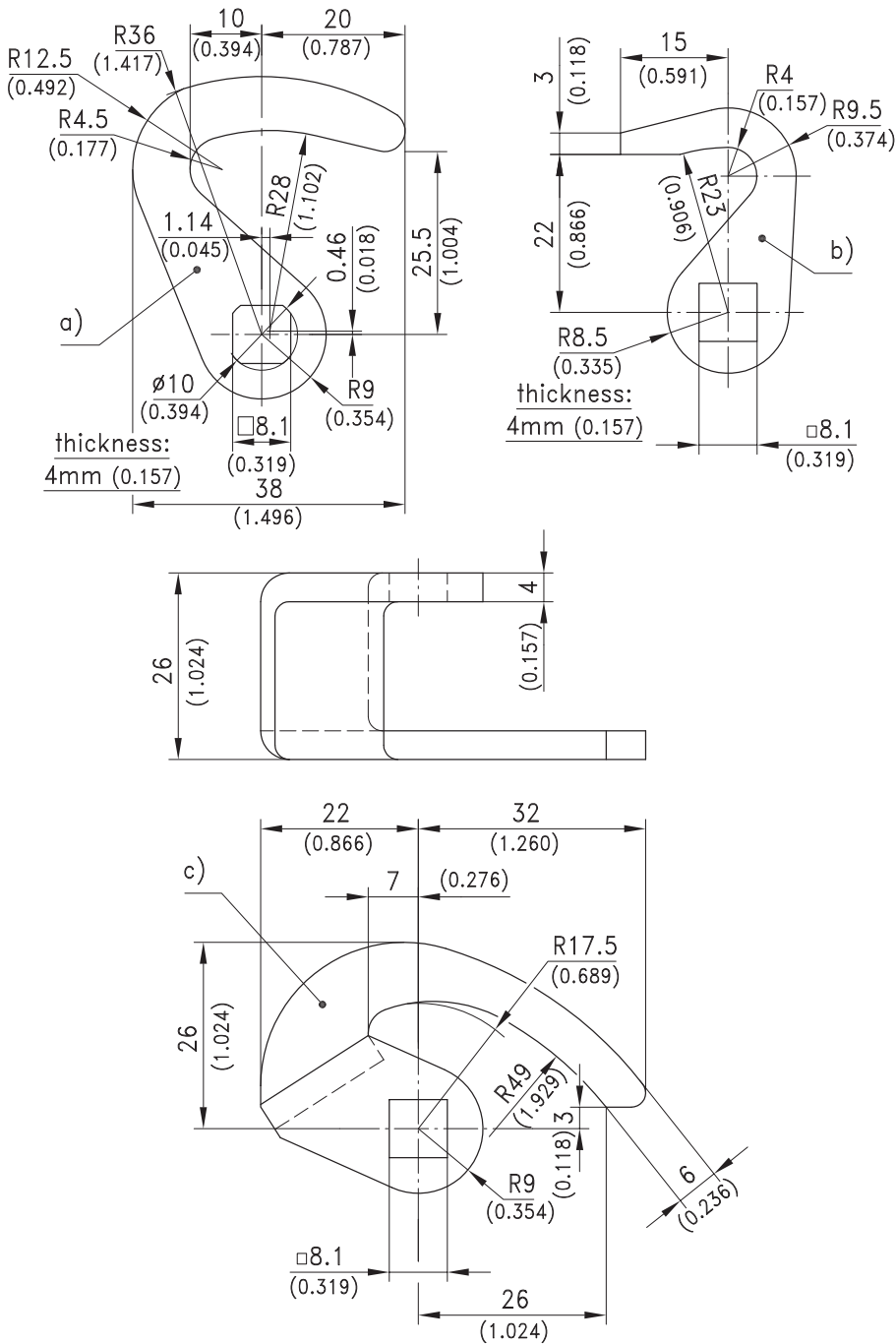


Product Notes:

- When assembling 200-1701 or 200-1703 by DIRAK, please indicate the locking direction of the cam
- 200-1702 only clockwise operation

Material:

- **Hooked cam:** Steel, Zinc Plated



	Part No.
a)	200-1701
b)	200-1703
c)	200-1702